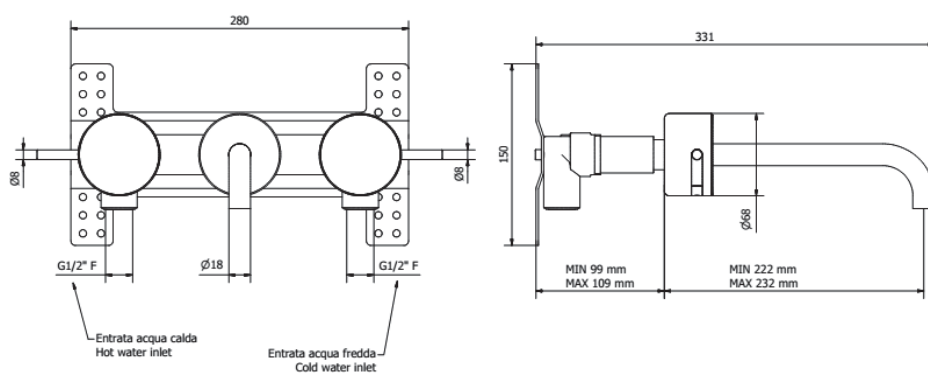


AQUABRASS

CL29NM



Product Description

Wallmount 8" c.c. lavatory faucet

- solid brass construction
- crystal clear water flow
- drain not included
- 1/2" connection

height: 4"
overall projection: 9 1/4"
flow rate: 1.3 gpm*

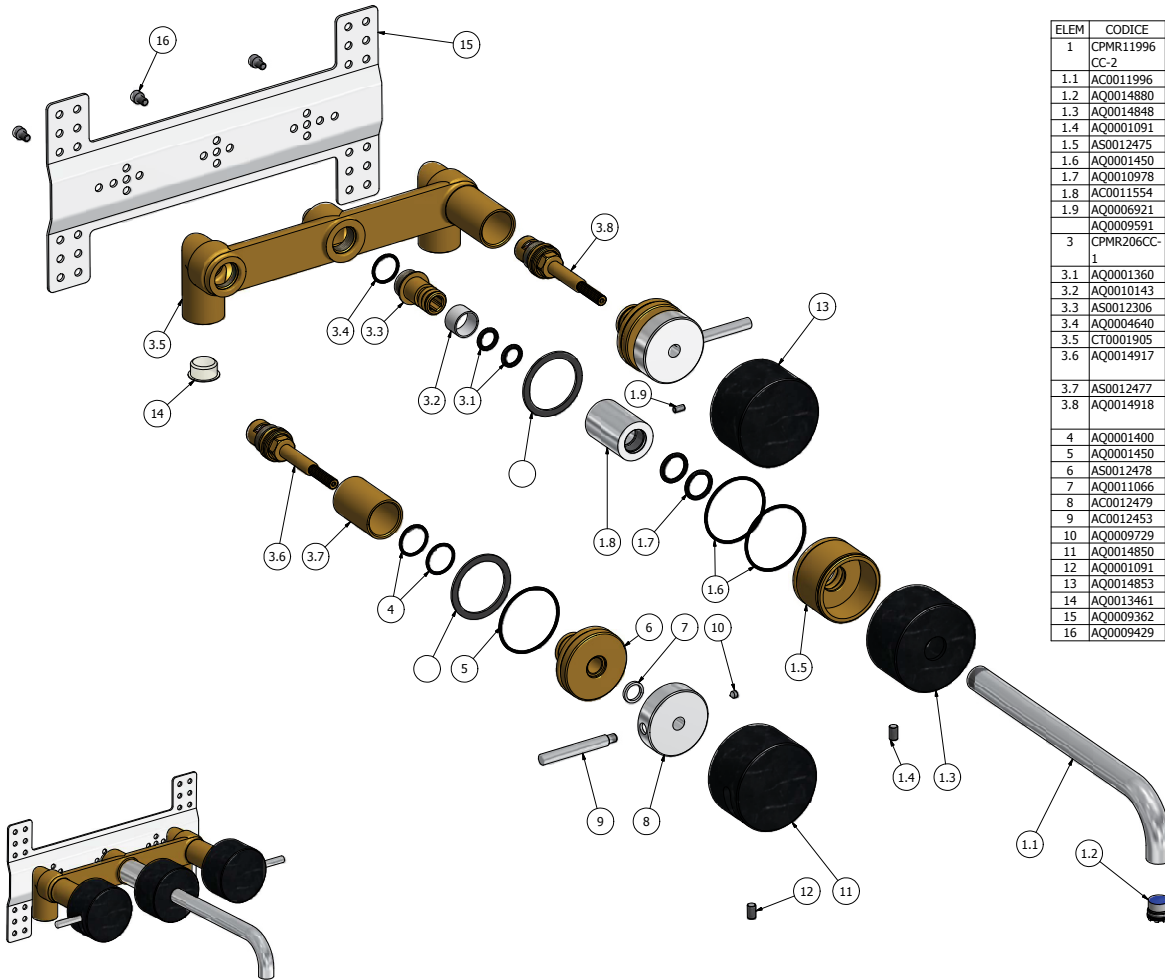
FINISHES

Standard
Polished chrome (pc)

Custom
15 custom finishes available
(ask your local Aquabress authorized dealer for details)

*Optional low flow aerator: #ABAE443360010 (1.2 gpm)

AQUABRASS



ELENCO PARTI

ELEM	CODICE	DESCRIZIONE	QT
1	CPMR11996 CC-2	Premontato bocca incasso	1
1.1	AC0011996	Bocca M18x1 M16.5x1 Ø18 L244	1
1.2	AQ0014880	Areatore PCA Cachè 5 l/min (44.3251.010)	1
1.3	AQ0014848	Copertura marmo Ø68 H40 nero marquinia	1
1.4	AQ0001091	Grano inox M6x10 p.p.	1
1.5	AS0012475	Anello bocca Ø52.4 H34	1
1.6	AQ0001450	OR 47.37x1.78 NBR 70 SH	
1.7	AQ0010978	OR 17.46x2.62 NBR 70 SH	
1.8	AC0011554	Inserto Ø30 L42	1
1.9	AQ0006921	Grano inox M4x8 p.p.	1
	AQ0009591	Guarnizione Ø40 Ø49.5 H1.5	3
3	CPMR206CC-1	Premontato incasso	1
3.1	AQ0001360	OR 11.91x2.62 NBR 70 SH	
3.2	AQ0001043	Anello in teflon Ø20 H12.5	1
3.3	AS0012306	Inserto portabocca G1/2" H40	1
3.4	AQ0004640	OR 18.77x1.78 NBR 70 SH	1
3.5	CT0001905	Corpo incasso tre fori int. 200 G1/2"	1
3.6	AQ0014917	Vitone ceramico 90° sinistro rosso broccia H28 (FCN07965-6090RS)	1
3.7	AS0012477	Anello Ø30 M24x1 H44	
3.8	AQ0014918	Vitone ceramico 90° destro blu broccia H28 (FCN0796D-6090BL)	1
4	AQ0001400	OR 20.35x1.78 NBR 70 SH	4
5	AQ0001450	OR 47.37x1.78 NBR 70 SH	
6	AS0012478	Porta maniglia Ø52.4 Ø24.8 H35	
7	AQ0011066	Anello antifrizione in teflon Ø15.8x12.3x2.2	
8	AC0012479	Maniglia Ø51 H22	
9	AC0012453	Manettino Ø8 M6 H63	
10	AQ0009729	Grano inox M5x5 p.c.	
11	AQ0014850	Copertura marmo Ø68 H40 sinistra	1
12	AQ0001091	Grano inox M6x10 p.p.	
13	AQ0014853	Copertura marmo Ø68 H40 destra	1
14	AQ0013461	Tappo per protezione filetto Ø19 (ST019)	
15	AQ0009362	Piastra inox per fissaggio incasso 280x150	1
16	AQ0009429	Vite inox M5x8	3